

Farming Structurizer

The Structurizer ST 5,5 is used for milling of many different products, especially for producing structured feed. By milling with the structurizer you will have less fine particles, therefore it is particularly used for layer feed. The structurizer achieves a high capacity with a low energy consumption due to a large working surface in comparison to a roller mill. Furthermore the wear costs are very low because of the entirely hardened crushing discs. Almost all cereals, even wet components, can be milled without any problems. An integrated safety device protects the crushing discs against parts, which could damage them. A manual gap adjustment during operation is possible.

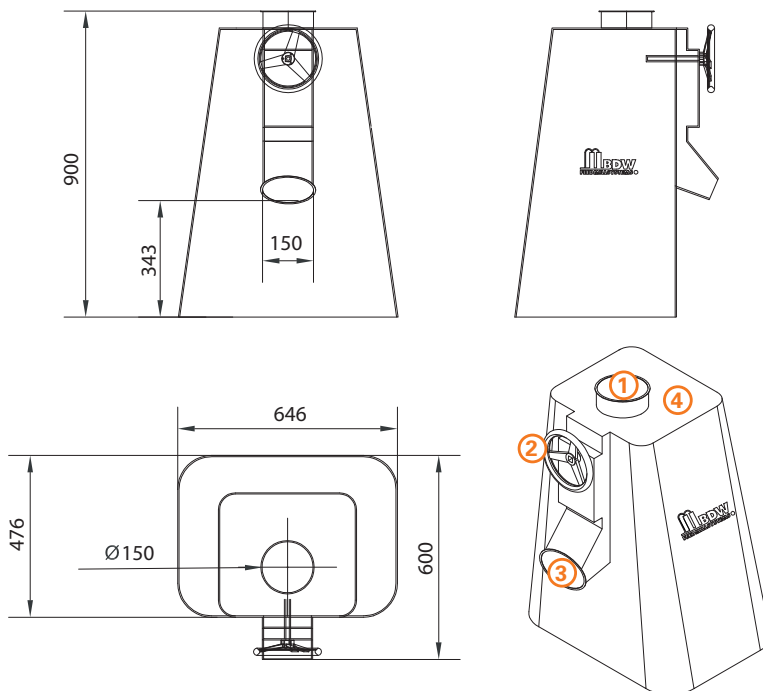
All advantages at a glance

- Less fine particles, thereby homogenous material
- High capacity with a low energy consumption (approx. 1.2 kWh/t)
- Low operating costs through entirely hardened crushing discs
- Gentle treatment, because the product will barely be heated
- Wet grinding up to 40 % moisture possible
- Low noise level





Farming Structurizer



Type	ST 5,5
Capacity, kg/h*	2,100–4,800
Motor, kW	5.5
Weight, kg	220
Noise level, dB(A)	80

Raw Material	Capacity, kg/h
Maize	3,600
Wet maize	2,100
Oat	3,600
Wheat	4,800
Barley	3,900
Pellets	3,000

Item	Description
1	Inlet D 150
2	Manual gap adjustment
3	Outlet D 150
4	Integrated safety device

