



Farming

Horizontal Mixer

Horizontal Mixer from BDW can thoroughly mix various raw materials like grain, soya, dry minerals, vitamins and oils together into a high grade feed. In addition all quantities can be mixed with a high degree of mixing accuracy. The size of the mixer as well as the decision, if a pre and/or storage bin will be used, always depends on the desired capacity of the plant. Sometimes it can be also useful to choose two mixer instead.

All advantages at a glance

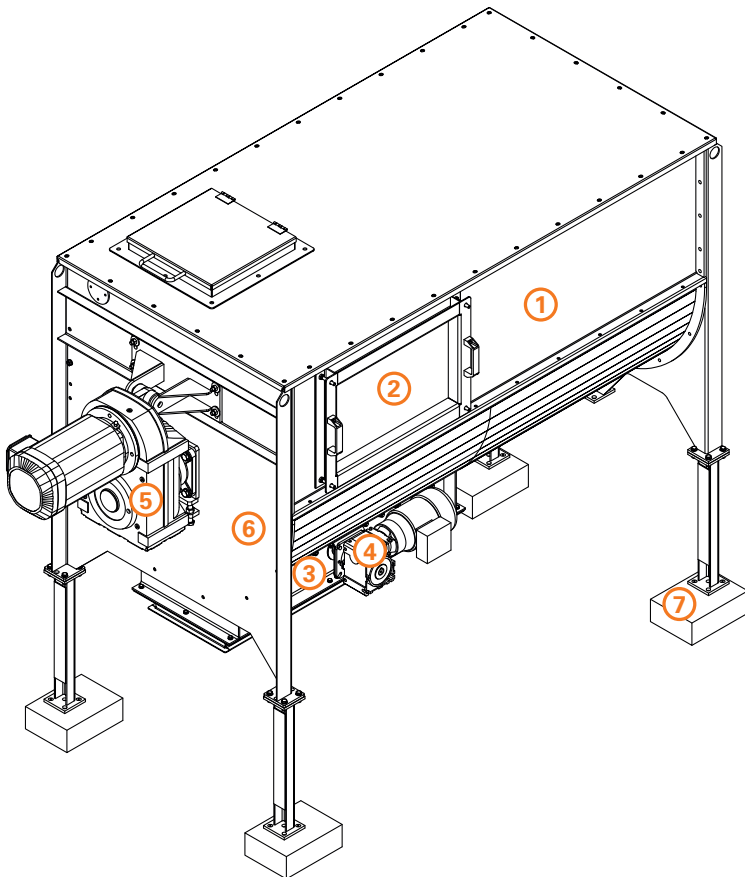
- Double opposing rotating steel coil which works over the entire length of the mixer
- Long operating life of the steel coil due to the double bearings of the shaft
- High mixing accuracy (1:100.000)
- Very good mixture quality even with the smallest quantities
- Maintenance-friendly cleaning hatch
- Residue-free emptying
- Short mixing times





Farming

Horizontal Mixer



Type	MI 2200
Dimensions (length x width x height), mm	2,860x1,260x 2,077
Filling volume (at 650 kg/m ³), litres	2,200
Max. filling quantity (at 650 kg/m ³), kg	1,000
Mixing time, min	approx. 4-6
Speed of the spiral in the mixer, rpm	approx. 16-17
Motor capacity, kW	7.5

Item	Description
1	Mixing chamber
2	Hatch for inspection purposes
3	Outlet
4	Slider
5	Gear Motor
6	Frame
7	Load cells

